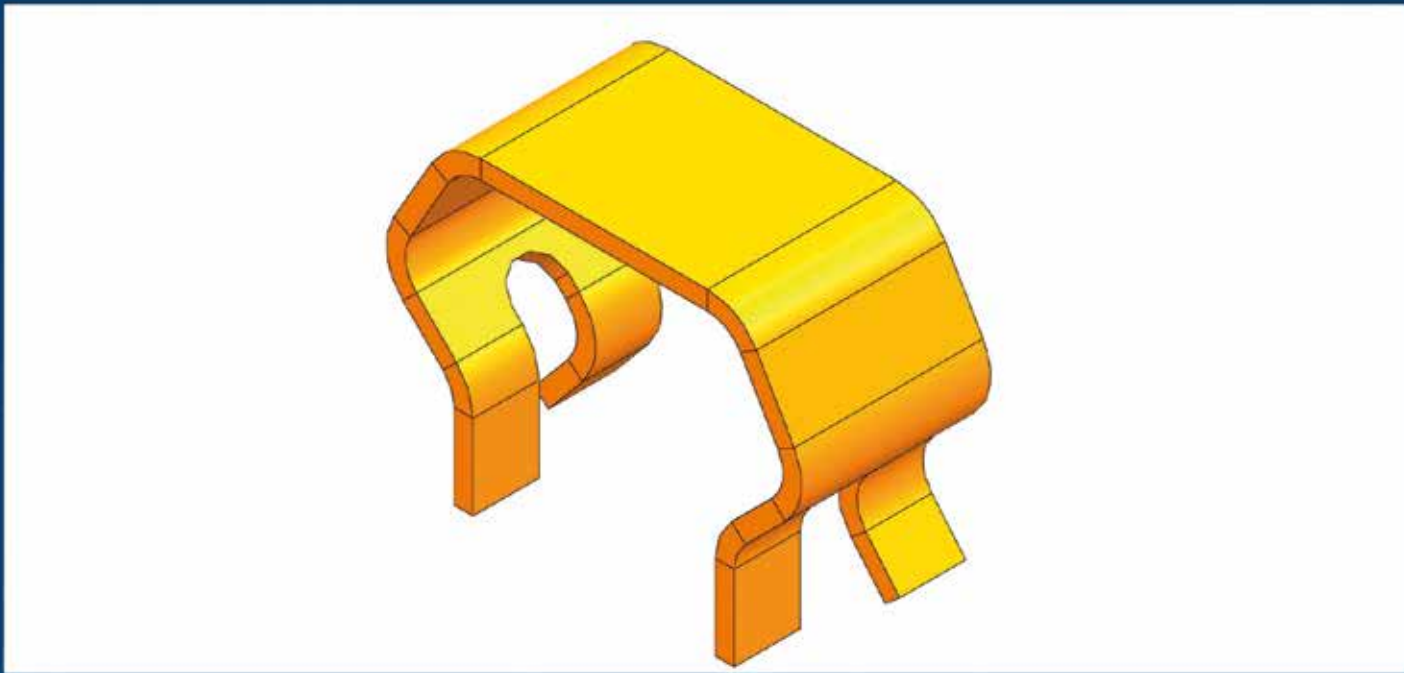


ID-5031

MACHINE TYPE
RM-NCCYCLE RATE (parts/min)
300 parts/minSETUP TIME (h)
1,0 hPROCESSING TIME/BATCH (h)*
Open Chart
NEW
 WORLD PREMIERE

BIHLER WEB APP

„Planning“



Register under the following link for the Web App „Planning“:
www.bihlerplanning.de

The Web App is the ideal tool for planners and designers. It provides a quick answer to the question:

“How do I bend stamped and formed parts?”

Therefore the free demo version contains a sample database with a wealth of Bihler knowledge as well as two tooling designs (strip part and wire part) in STEP format.

The app is a useful source of inspiration for new solutions using the principle of similarity.

- It offers an easy and quick overview of all aspects for implementing stamped and formed parts (bending sequences, tooling).
- Additional information such as production speed, setup time and processing time per batch will be outlined clearly.

In the future, the Web App is constantly being expanded with additional case studies and features for component planning and costing.