



PPE 2

NC-PICK & PLACE UNIT

Highly dynamic, highly accurate

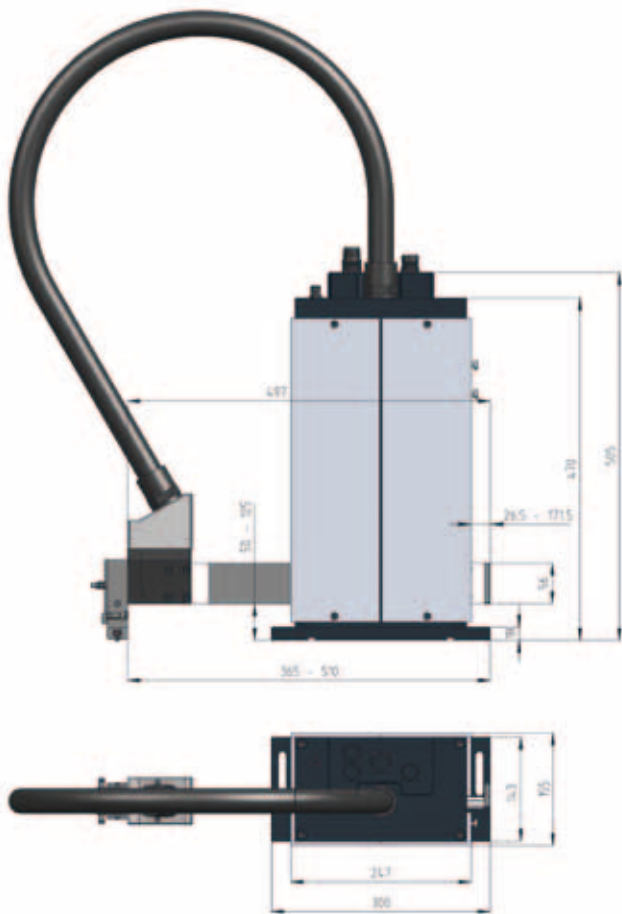
PPE 2

The highly dynamic NC Pick & Place unit PPE 2 expands the comprehensive modular system of high performance Bihler NC process modules. The PPE 2 impresses with extremely short cycle times, maximum precision and excellent repeat accuracy. It is designed for easy assembly of several units in succession. Specially adjusted to the pin spacing on the new BIMERIC, it can also be integrated in almost any other environment. Integrated absolute position measuring systems guarantee excellent repeat accuracy. The PPE 2 can be expanded flexibly and fitted individually with different actuators to cover a wide range of assembly applications for small and medium sized pieces.

BIHLER

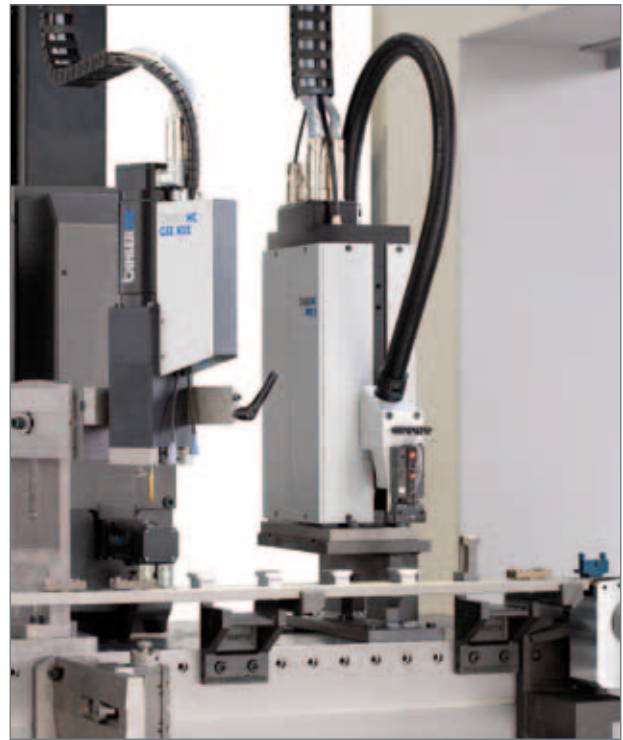
Highlights at a glance

- Very short cycle times, high speed, maximum repeat accuracy
- Synchronous motion sequence with the controller unit
- Large vertical and horizontal traverse paths
- All positions and speeds freely programmable
- Integrated absolute position measuring systems
- Plug & Play - very short start-up times
- Maintenance-free
- High production reliability



Dimensions of the PPE 2

The PPE 2 is specially adapted to the pin spacing of the new BIMERIC. However, it can also be integrated in almost any other environment.



Technical data

Vertical stroke (max.)	75 mm
Horizontal stroke (max.)	145 mm
Positioning accuracy	+/- 0.02 mm
Repeat accuracy	+/- 0.01 mm
Max. handling weight	1.5 kg
Max. pulse rate	120 1/min.
(vertical stroke 60 mm, horizontal stroke 120 mm)	

Electrical interfaces

Connection of all input leads (power, control system, etc.) to the stationary docking station on the front face of the PPE. No moving motor cables.

Control system

The unit is controlled via the standard NC axis servo converter with absolute positioning. Axis programming and synchronisation with machine movements or other NC axis movements is performed via the Bihler VC 1 controller with Ethernet based NC communication.